

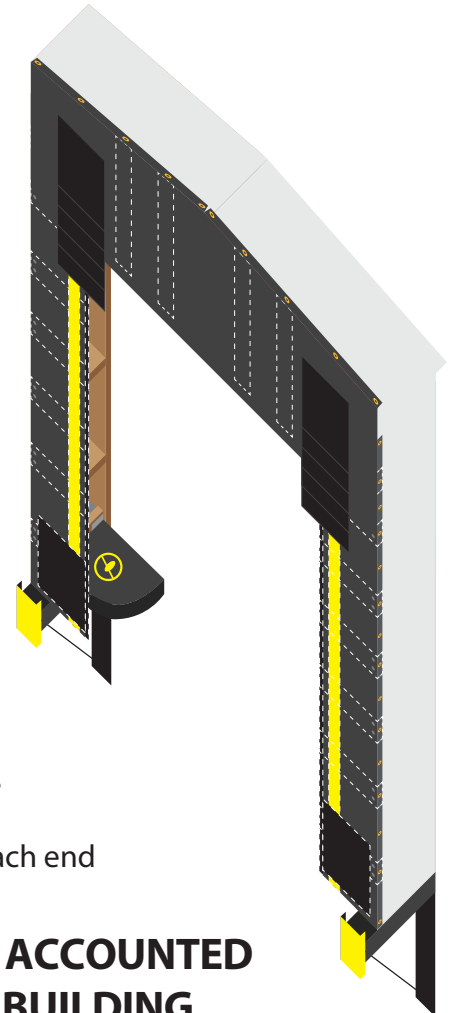
INSTALLATION INSTRUCTIONS FOR SH-402 DOCK SHELTER

Parts:

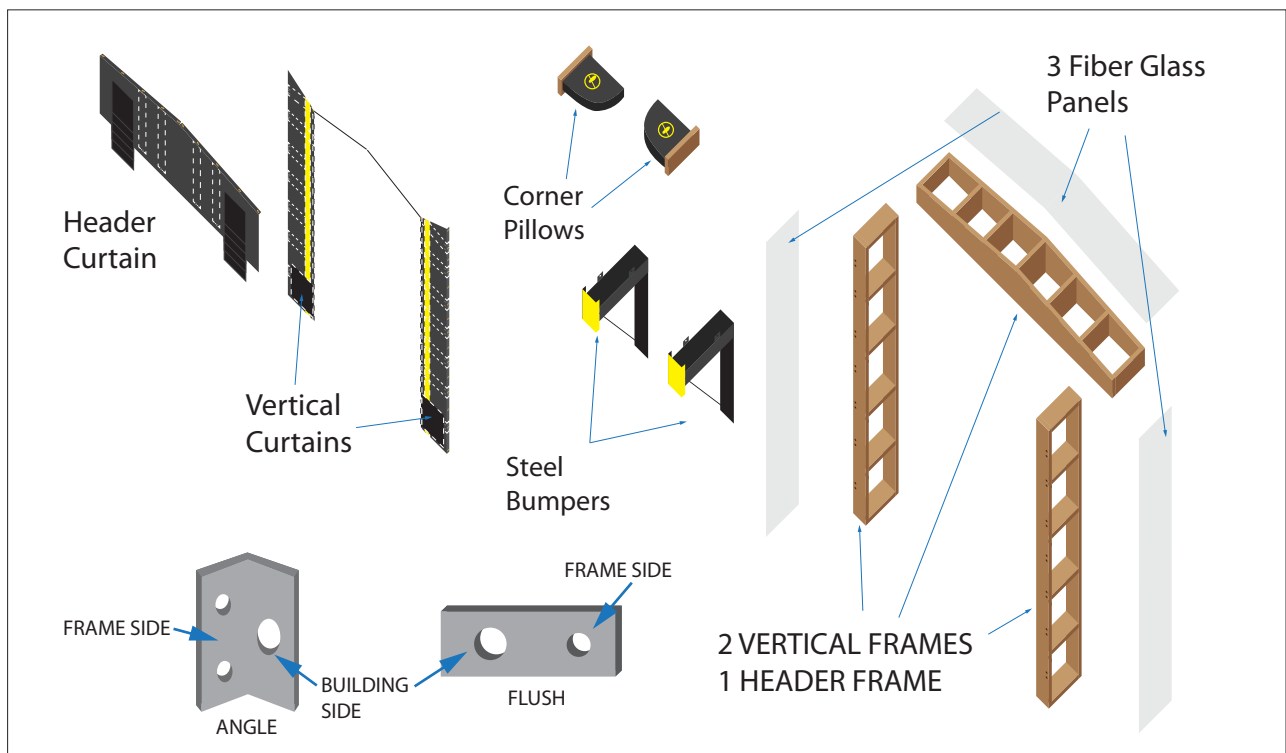
1. (2) Steel Bumper Supports
2. (1) Right Rigid vertical (frame of 2x4 construction)
3. (1) left Rigid vertical (frame of 2x4 construction)
4. (1) Rigid Header (frame of 2x6 & 2x4 construction)
4. Three translucent fiberglass panels
5. Right vertical curtain
6. Left Vertical Curtain
7. Header Curtain
8. Two Draft Pillows

Hardware:

- | | | |
|-----------------------|---|--------------------------|
| (1) bag of nails | (18) Angle brackets | (2) Flat Brackets |
| (44) 3/8" Lag Screws | (8) 3/8" Washers | (36) 1/4" Carriage Bolts |
| (36) 1/4" Washers | (36) 1/4" Nuts | (1) Large Screw Eye |
| (2) 48" Rubber Straps | (4) 7" Channels with holes drilled 1" from each end | |
| (8) 1/4" Wood Screws | | |



CHECK PAGES TO MAKE SURE ALL PARTS ARE ACCOUNTED FOR ALL DIRECTIONS ARE GIVEN FACING THE BUILDING



LOCATION & INSTALLATION OF STEEL BUMPERS

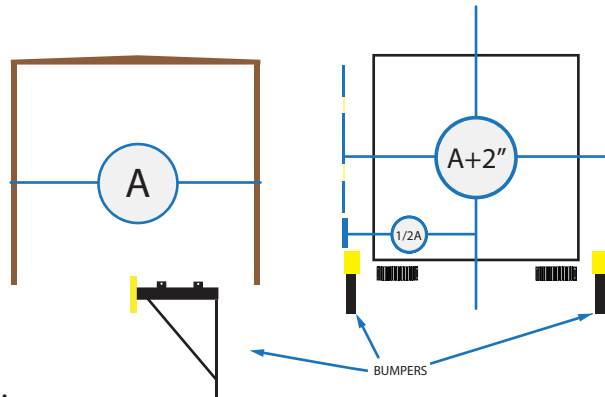
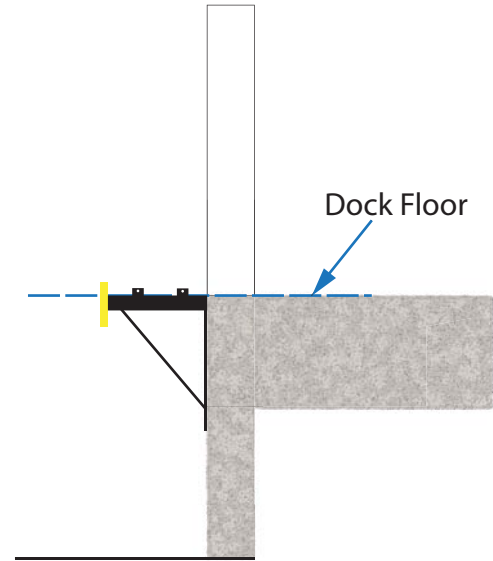


Figure 1.



POSITIONING STEEL BUMPER SUPPORTS

To determine a proper position for the steel bumpers take width of unit (Dimension A, Fig. 1, 11'6" is standard; measure your header width to confirm this) find center line of door and measure outward 1/2 of unit width, plus one inch on each side (See Fig. 1). This will give you the outside edge of steel bumpers. Outside-to-Outside of bumpers will be width of unit, plus two inches. install so top of bumper is level with dock floor.

MATCHING YOUR VERTICAL CURTAINS TO THE FRAMES

1. Check each verticle frame for the markings LB (Left bottom) and RB (Right Bottom). Match the curtain to the proper frame by placing the curtain over the verticle so the longest end is on the outside edge (The side the pre-drilled holes are offset to). At this time ensure the bolt holes align properly. If the holes do not line up your verticals may be upside down, or you may have the opposite curtain.

2. For reference later make sure to mark the top and what side the frame is for.

Note: in the drawing to the left the hole displacement on the vertical frames are towards the outside edge. The longest end of the curtain will align with this edge.

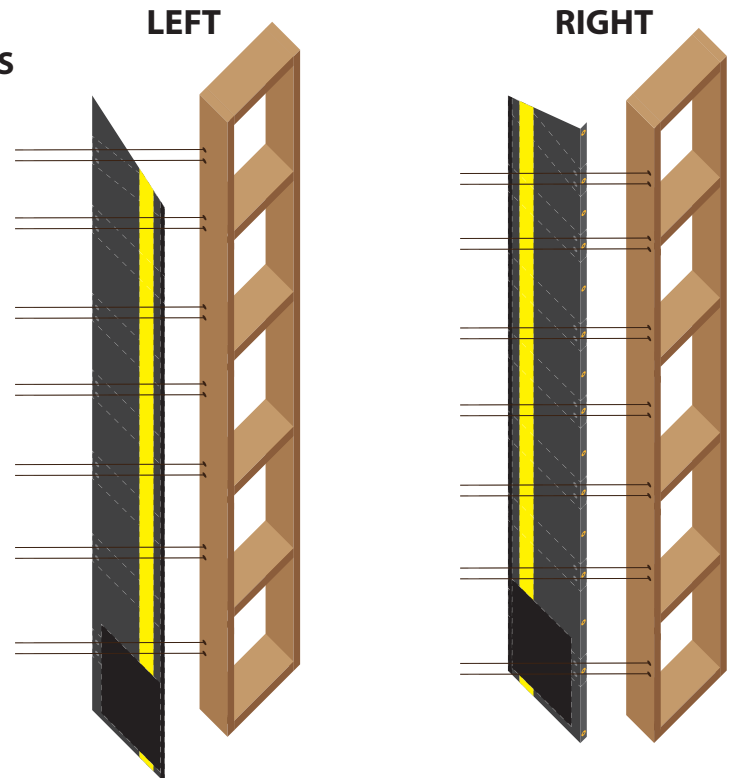
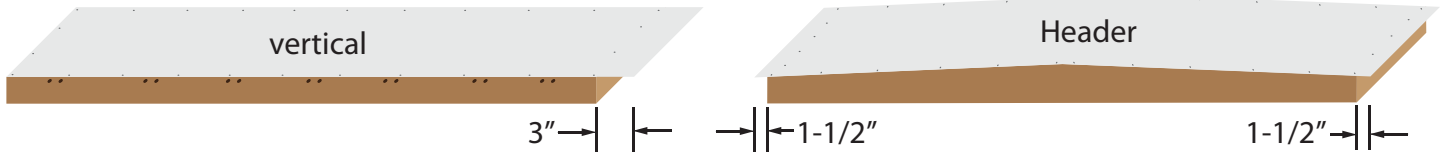


Figure 2. ATTACHING TRANSLUCENT PANELS



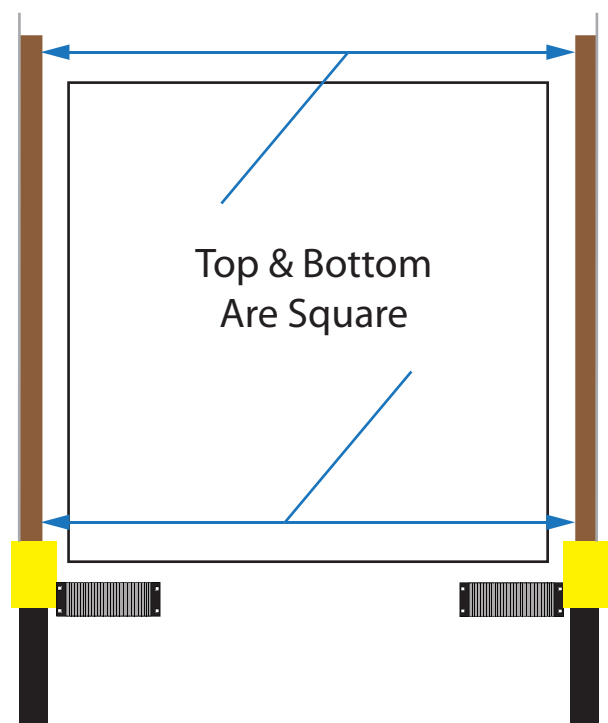
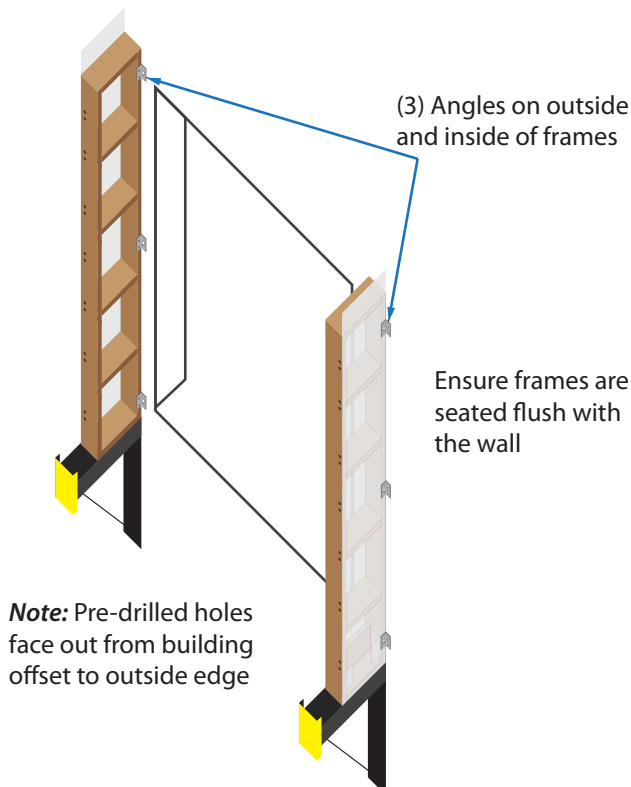
3. Attach translucent fiberglass light panels to rigid verticals using nails provided. The fiberglass Light panel is three inches longer than the vertical frame. Attach this panel to the side of vertical frame the predrilled holes are displaced towards. When attached the fiberglass will over hang the top of the frame approximately 3"

4. Attach translucent fiberglass light panels to the sloped top of the rigid Header Frame using nails provided. The fiberglass Light panel is three inches longer than the vertical frame and should 1-1/2" over each end.

Note: Remember to double check your panel placement before securing, premarking the top of the frame as RT and LT will help with this.

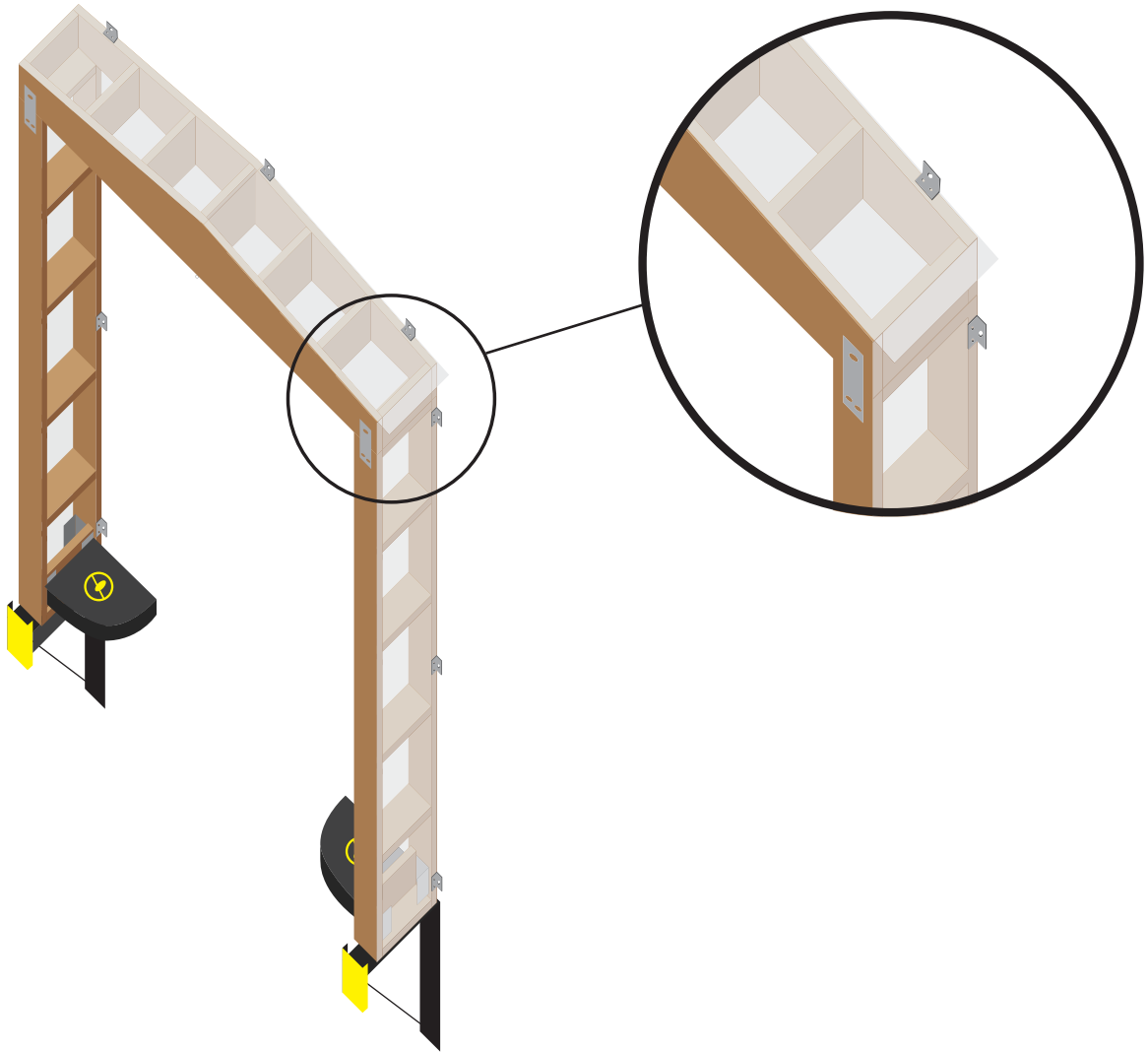
5. Set rigid verticals in position on top of steel bumpers. Make sure the verticals are level and square with the back flush against building. Outside-to-outside measurement of verticals should be the same at top and bottom; same as your headers width (See figure 3). Attach each rigid vertical to wall with six of the angle brackets supplied; three inside three outside. Use provided lag screws with 3/8" washers to attach the base of verticals to the steel bumpers.

Figure 3. SQUARE AND MOUNT VERTICAL FRAMES

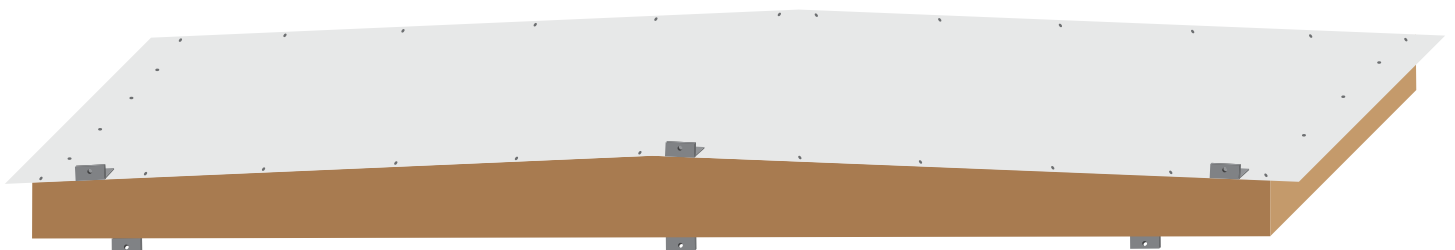


PROPER BRACKET PLACEMENT

6. Set rigid Header in position on top of vertical frames and attach to mounting surface with six of the angle brackets supplied; three on top and three on bottom. Use provided lag screws with 3/8" washers to attach the Header frame to the top of the vertical frames with provided flat brackets.



Rear View of Header Frame





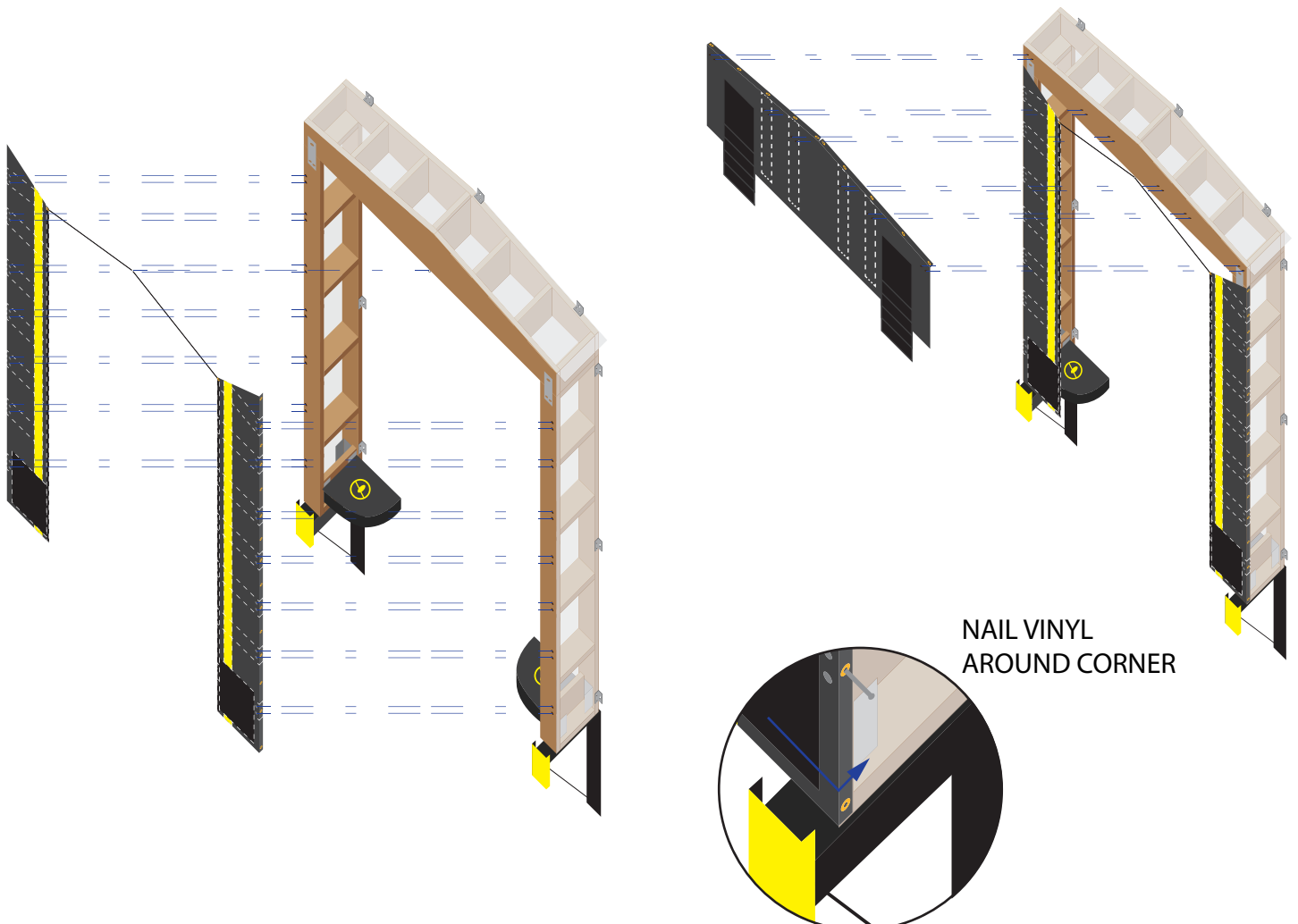
ATTACHING VINYL CURTAINS TO FRAME

7. The vinyl verticals, vinyl Header, and rigid frames are pre-drilled for easy assembly. Place vinyl verticals on the appropriate (left or right) rigid vertical so the bottom is even with the bottom of the rigid vertical. The tops of the vinyl verticals slope downward toward the center of the door (see fig 5). Line up pre-drilled holes on the front of the verticals and tap in 1/4" carriage bolts which will protrude through the 2x4. Place washers and nuts on bolts and tighten. Repeat this step for all remaining pre-drilled vertical placements.

8. Take vinyl around corner of vertical and attach to outside of rigid vertical by driving nails provided through grommets, repeat on other side.

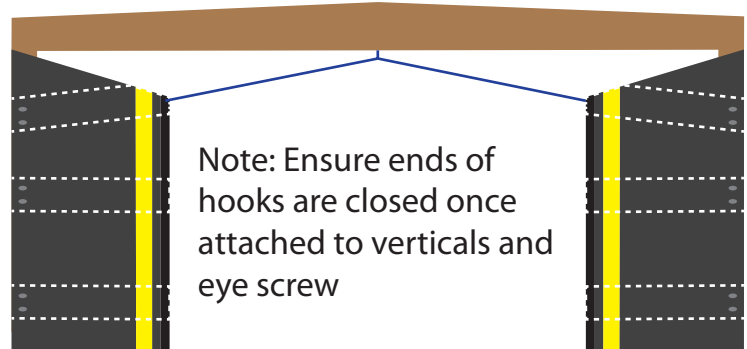
9. Lift vinyl header into position, outside of vinyl verticals (see fig 5). Line up pre-drilled holes and tap in 1/4" carriage bolts which will protrude through 2x6. Put washers and nuts on bolts and tighten.

10. Take vinyl cover of header and attach to the outside of rigid header by driving nails provided through

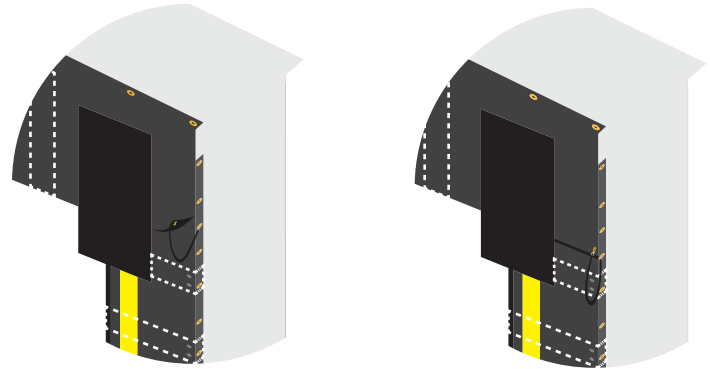


ATTACHING SECUREMENT BUNGEEES

11. Screw the eye into the predrilled hole in the center of the bottom/front of rigid header frame. Connect the rubber straps from the screw eye to the grommets on the top corners of the vinyl verticals (See fig 6). End of strap with regular "S" hook goes to screw eye; end with extender hook goes to vinyl vertical.



12. Attach the rubber straps that are connected to the bottom corners of vinyl header to the face of the rigid verticals, directly under the corners. Note: that the strap hangs in a loop when the header is close to the rigid verticals (see fig 7)



DRAFT PILLOW INSTALLATION

13. Attach the pillow channels to inside bottom of rigid verticals, just above the angle brackets and flush with the inside edge of the 2x4, away from the translucent panel. Use 1/4" wood screws provided (see fig 8). Slide backboard of pillow into channel.

