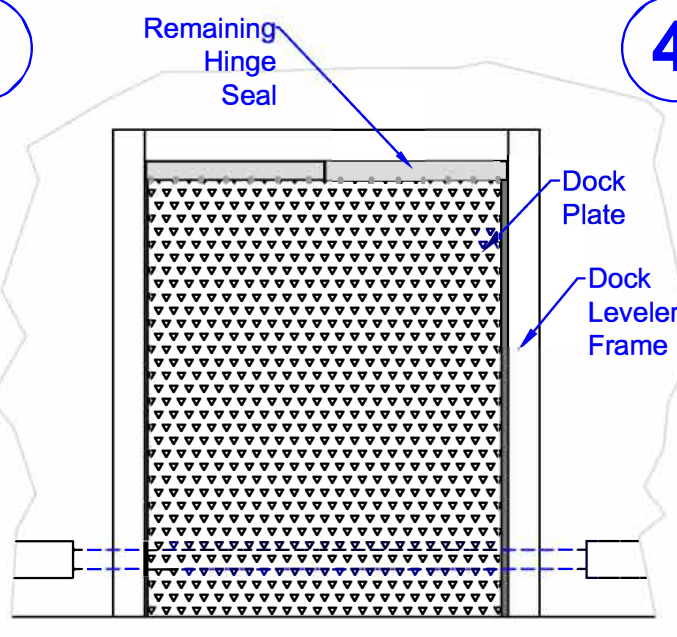
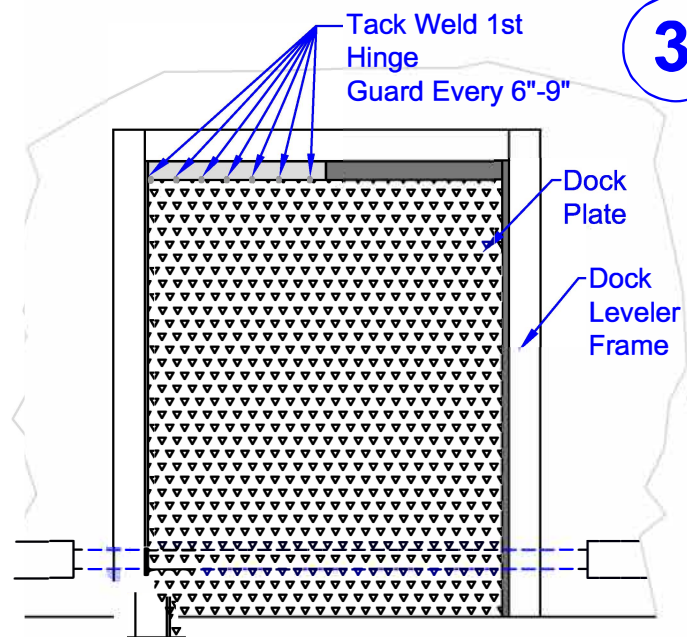
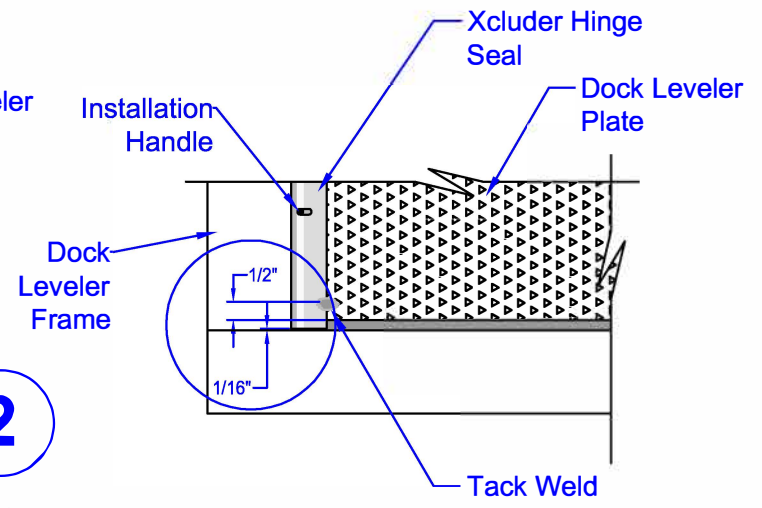


Tack Weld Hinge Seal 1/2" From Edge With 1/16" Clearance to Dock Leveler Frame



Measure & cut the remaining Hinge Seal such that it butts up to the first piece and when installed, leaves 1/16" clearance with the dock frame. Repeat Steps 2 & 3 and remove the handles; grind smooth.

Dock Leveler Hinge Seal

CHICAGO, ILLINOIS	DATE	PROJECT MANAGER
	10-28-14	DRAWING NO. XDLHS102714