

## Molded Bumpers

For use on low traffic docks and levelers the molded bumper series offers the highest impact absorption of any bumper model.

- Ideal for Dock Levelers, Open Docks, & Trucks
- Perfect protection for any low traffic dock
- In-plant wall protection from forklifts and other material Handling equipment

### Material

- High Quality Rubber Blend

### Specifications

- Nylon and polyester reinforced rubber molded to specific dimensions
- Bumpers have a durometer reading of  $80 \pm 5$ , tensile strength of 950-1050 PSI, and an impact recovery of 95% (ASTM 1170)

### Installation

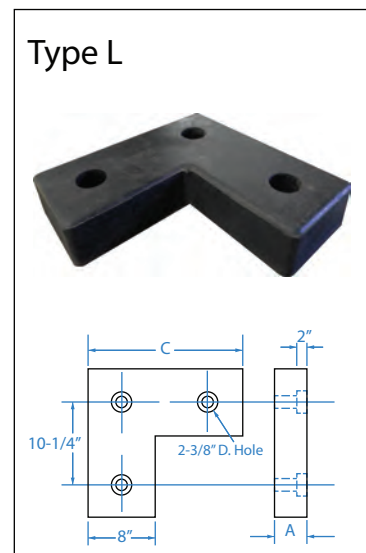
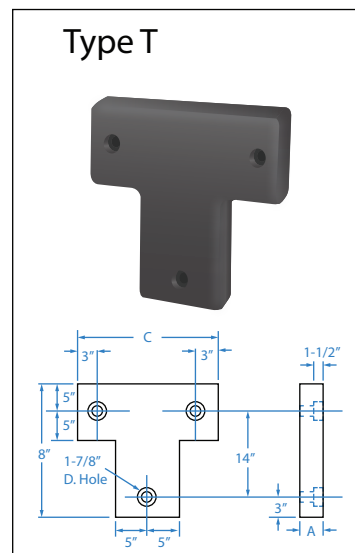
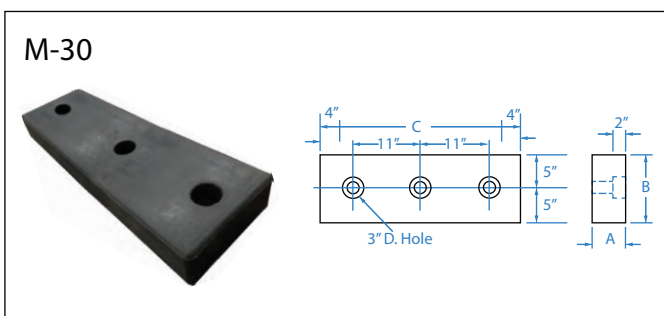
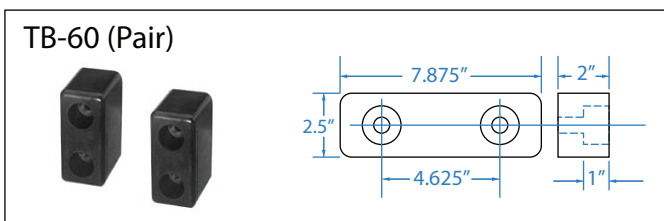
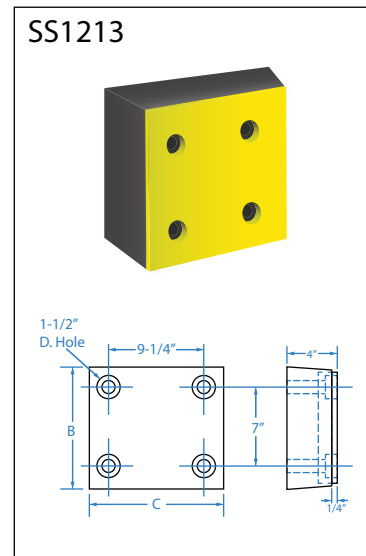
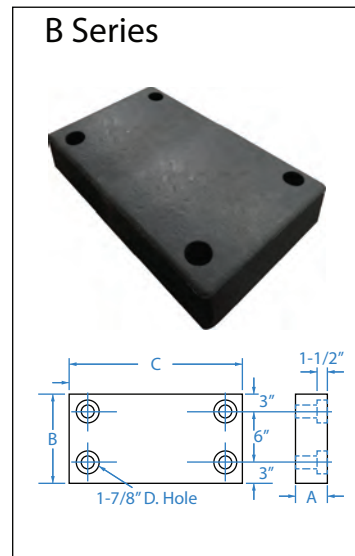
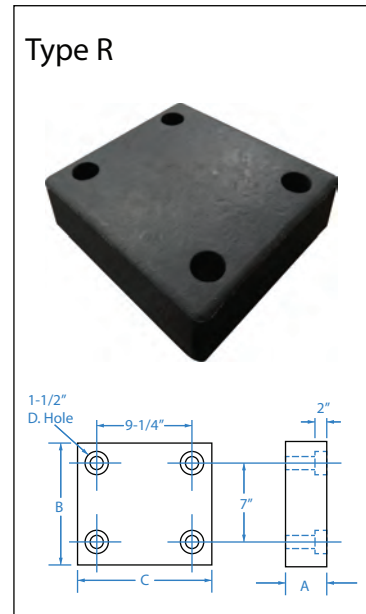
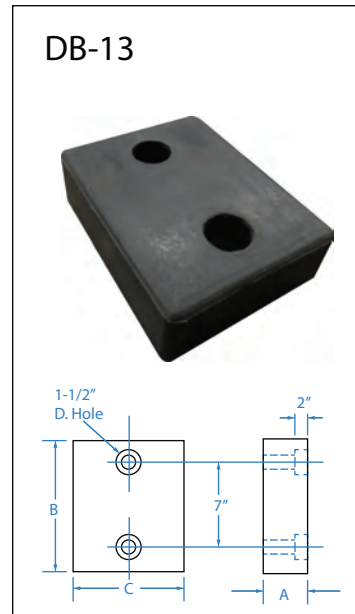
- Installation is easy—All models have predrilled counter-sunk mounting holes for fast installation (drilled to accept  $\frac{3}{4}$ " anchor bolts)

### Features

- Creates a clean, neat, attractive dock appearance
- Molded in one piece
- Will not warp or rust
- Compact in size

### Benefits

- Unique design and construction achieves the highest
- Highest impact absorption of any bumper
- Immune to all weather conditions
- Maintenance free
- One year warranty



# DOCK BUMPERS



## Molded Dock Bumpers

Model	Depth	Height	Width	Weight lbs. Each
M-T	3"	22"	22"	34#
M-LG	4"	18"	18"	35#
M-R	4"	12"	13"	21#
M-M18G	4"	10"	18"	27#
M-M30	4"	10"	30"	39#
M-B	3"	12"	24"	28#
M-BB	4"	12"	24"	37#
M-BBB	6"	12"	24"	55#
M-M2818	2"	8"	18"	11#
M-DB13	4"	10"	13"	17#
M-TB-10	3.75"	2 7/8"	6"	3#
M-TB-20	3.5"	3 5/8"	5 3/4"	3#
M-TB-60	2"	2.5"	7 7/8"	3#
M-DBE-10	3"	4.5"	10"	6#
M-DBE20	3"	4.5"	20"	12#
M-DBE-30	3"	4.5"	30"	18#
M-SS1213YE	4"	12"	13"	25#