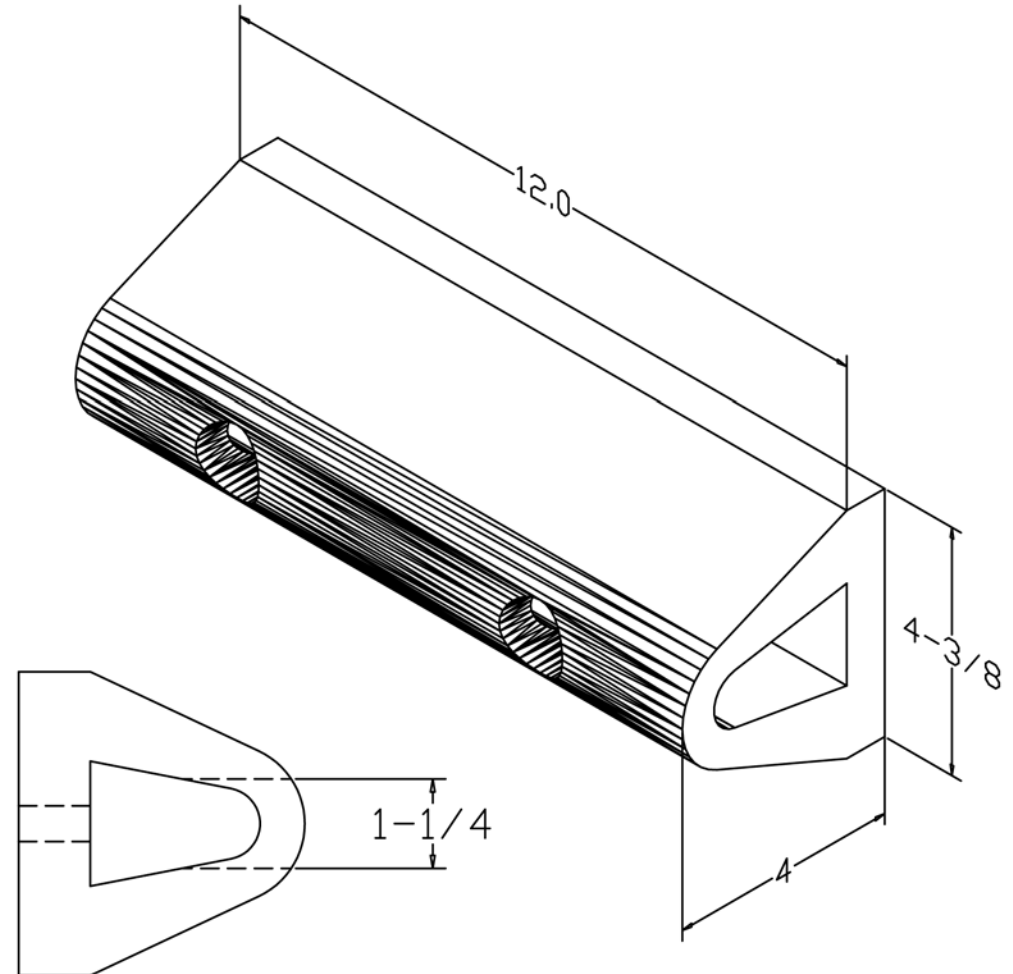


MODEL: *D-4-12*
EXTRUDED BUMPER

Size

Overall Length	12"
Overall Thickness	4"
Height	4-3/8"
Bolt Size	1/2 x 3"
Total Weight	5-1/2 lbs



Please Note:

-Weights are calculated and are not actual and overall tolerance may vary + or - 1/4.

SIDE VIEW