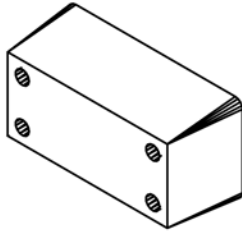
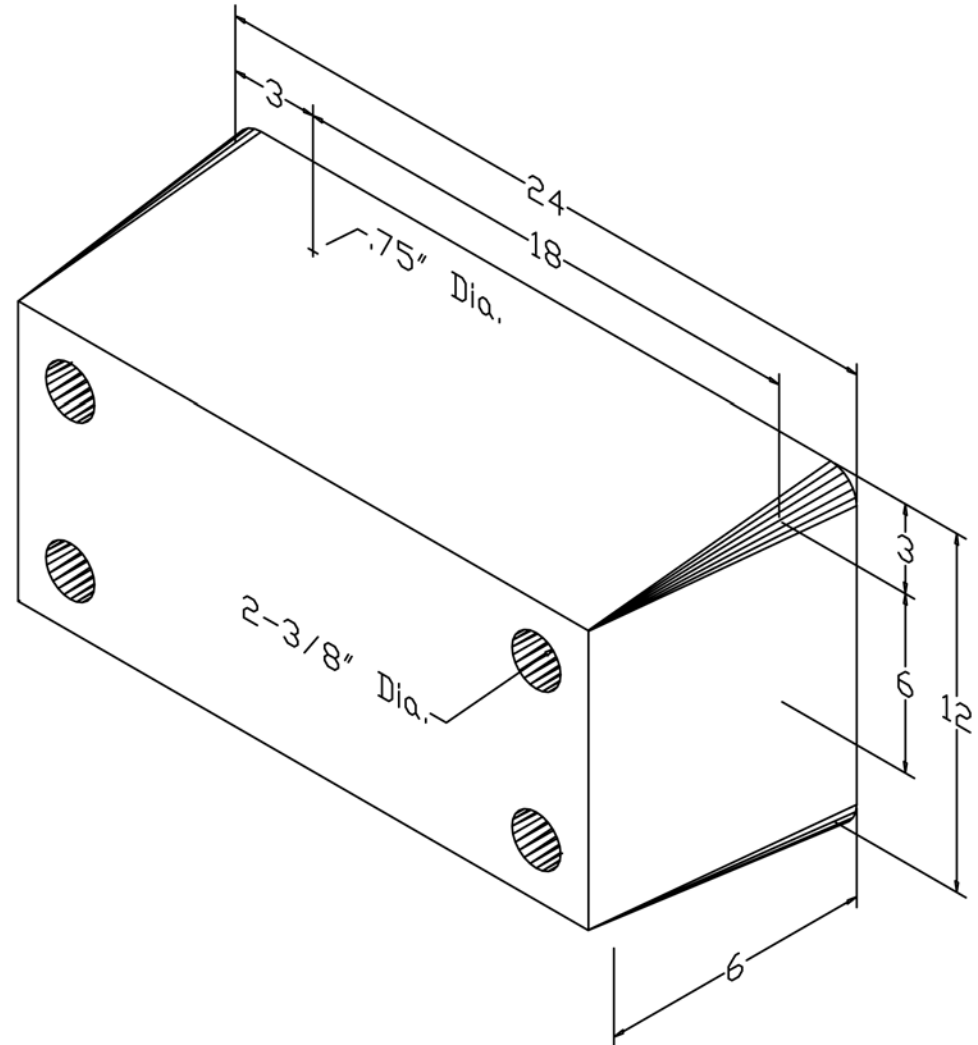


MODEL: *BBB*
MOLDED BUMPER

Size



Overall Length	24
Overall Thickness	6
-Height	12
-Anchor Holes	18x6
Total Weight	52 lbs



Please Note: Weights are calculated and are not actual and overall tolerance may vary + or - 1/4".