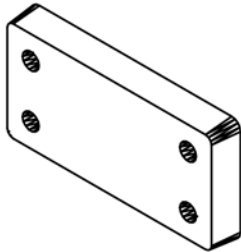
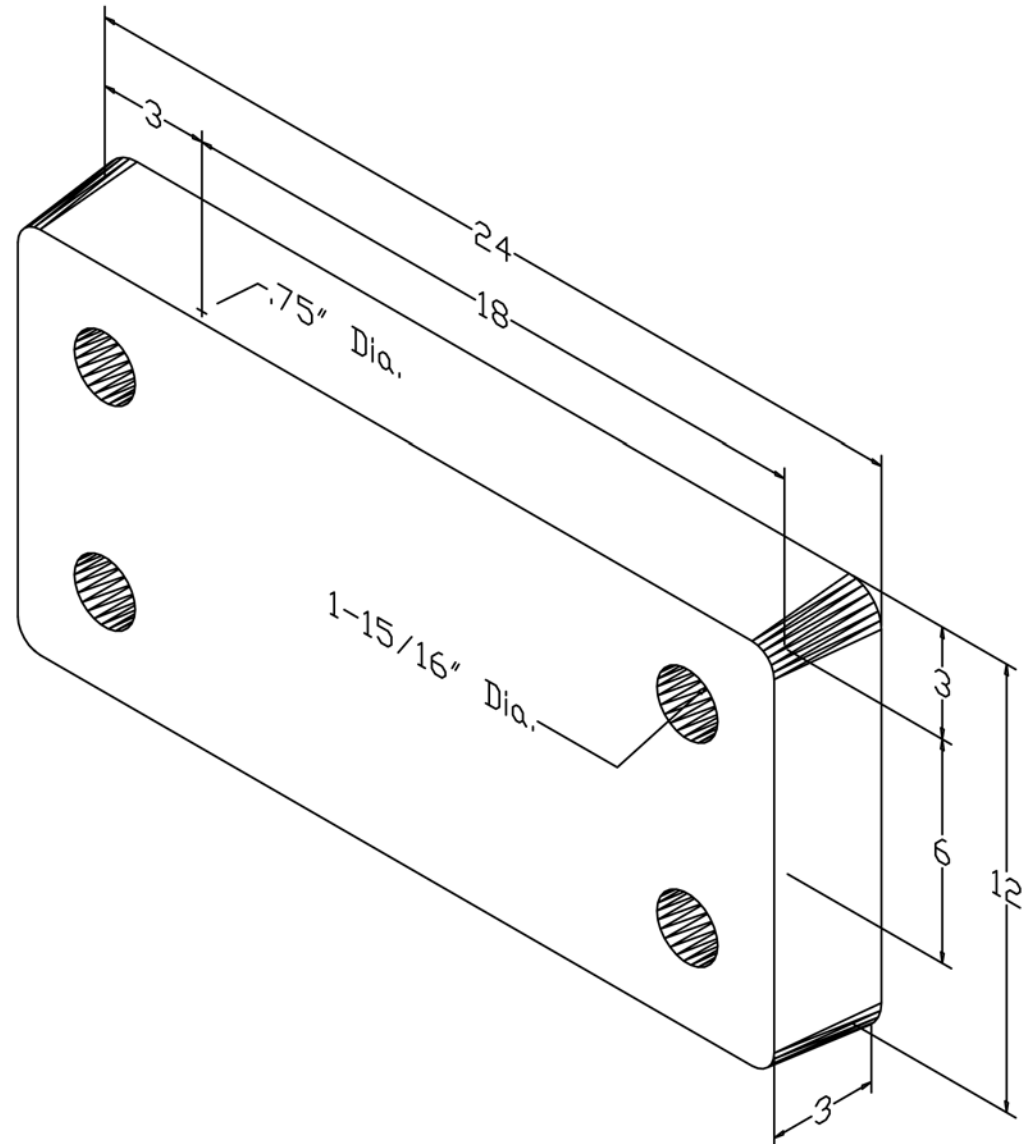


MODEL: *B*
MOLDED BUMPER

Size



Overall Length	24
Overall Thickness	3
-Height	12
-Anchor Holes	18x6
Total Weight	25 lbs



Please Note: Weights are calculated and are not actual and overall tolerance may vary + or - 1/4".