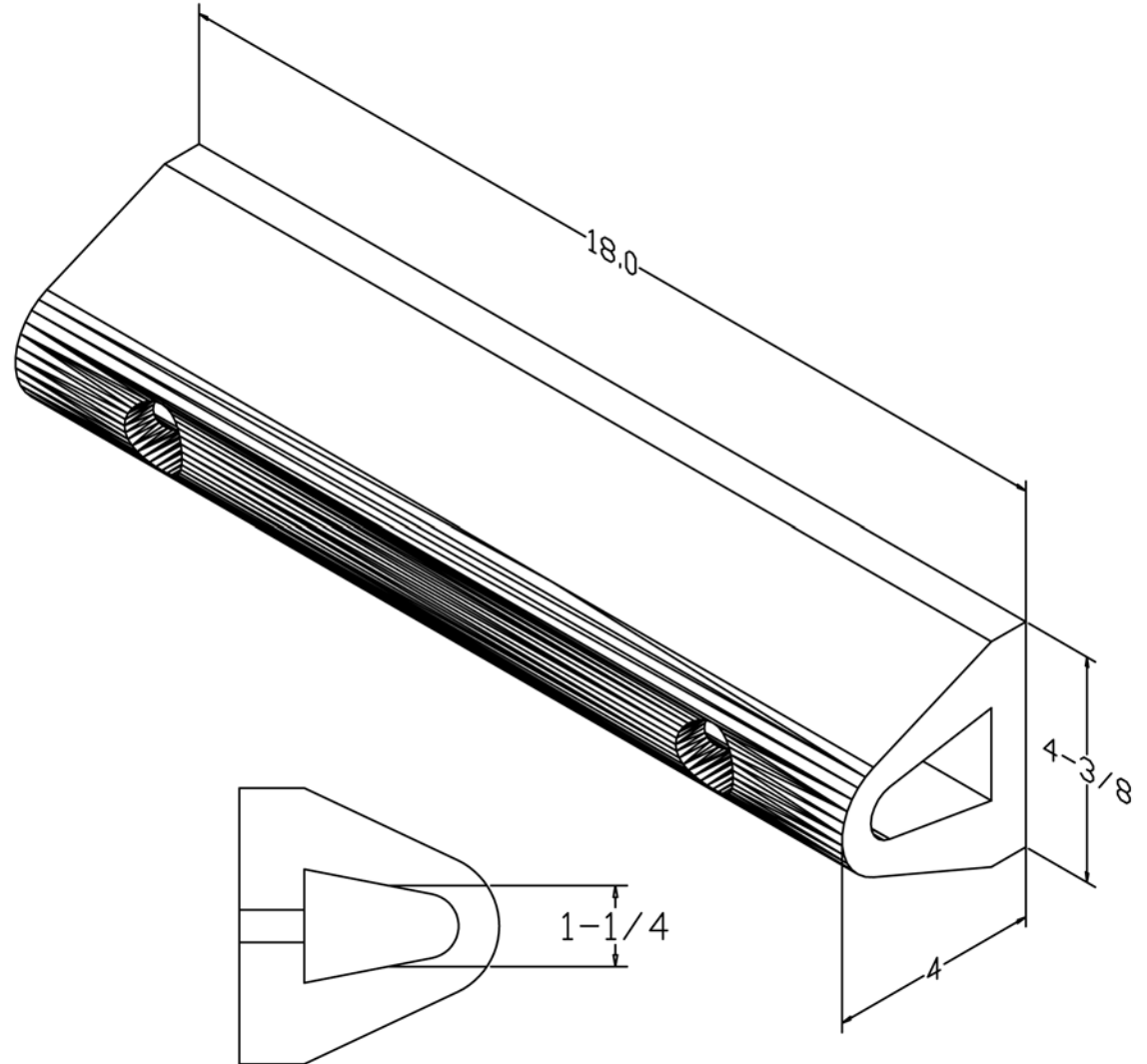


MODEL: *D-4-18*  
*EXTRUDED BUMPER*

Size

Overall Length	18"
Overall Thickness	4"
Height	4-3/8"
Bolt Size	1/2 x 3"
Total Weight	9 lbs



SIDE VIEW

**Please Note:**

-Weights are calculated and are not actual and overall tolerance may vary + or - 1/4.