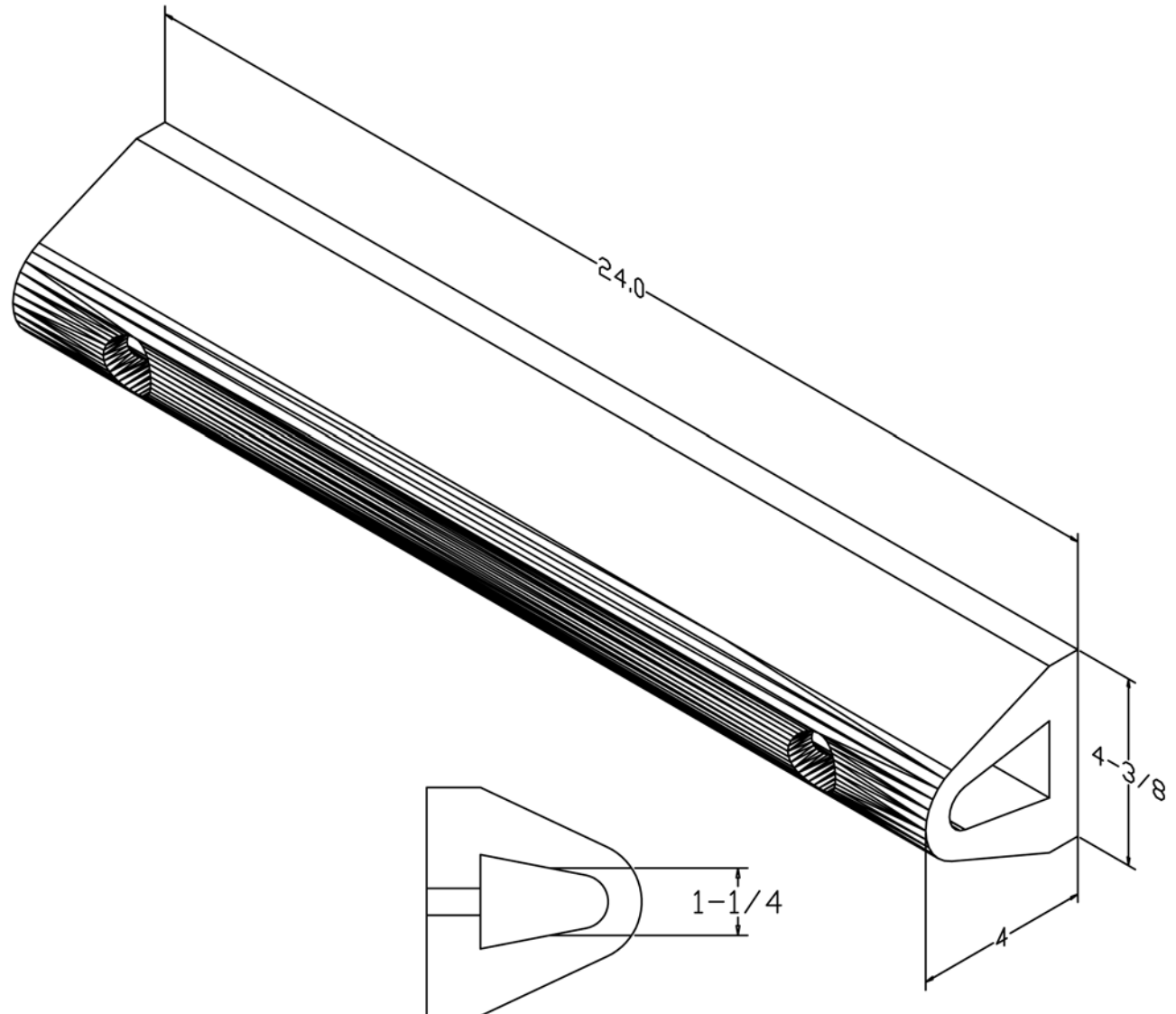


MODEL: *D-4-24*
EXTRUDED BUMPER

Size

| | |
|-------------------|----------|
| Overall Length | 24" |
| Overall Thickness | 4" |
| Height | 4-3/8" |
| Bolt Size | 1/2 x 3" |
| Total Weight | 11 lbs |



Please Note:

-Weights are calculated and are not
actual and overall tolerance may vary + or - 1/4.