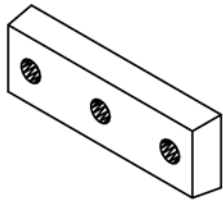
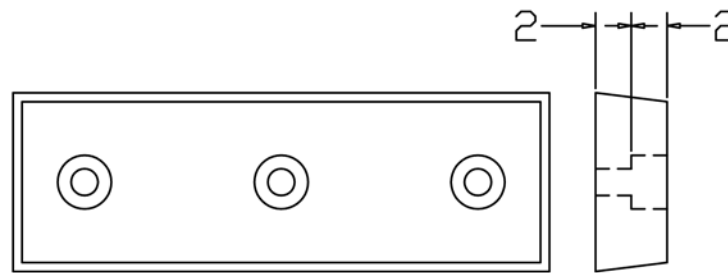
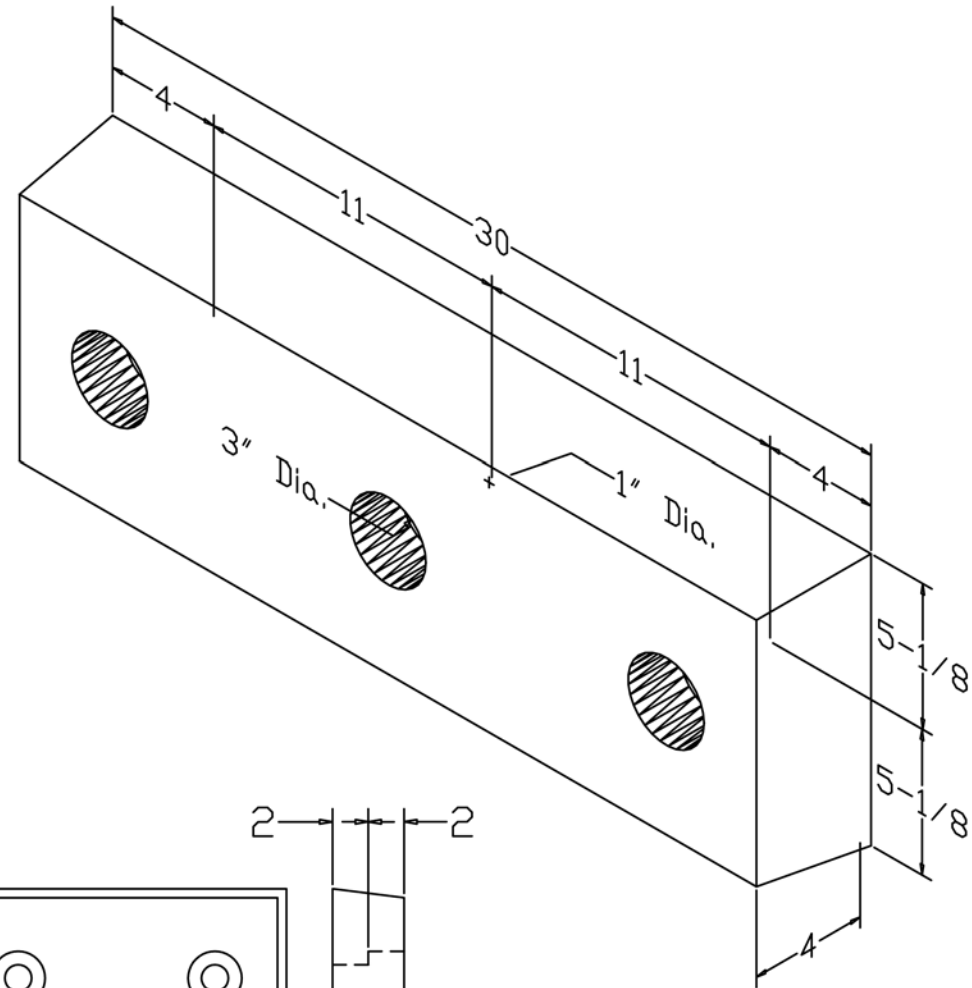


MODEL: *M-30*  
*MOLDED BUMPER*

Size



Overall Length	30
Overall Thickness	4
-Height	10-1/4
-Anchor Holes	11
Total Weight	38 lbs



FRONT VIEW

SIDE VIEW

**Please Note:** Weights are calculated and are not actual and overall tolerance may vary + or - 1/4".