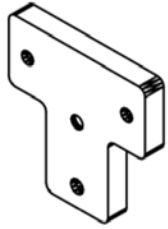
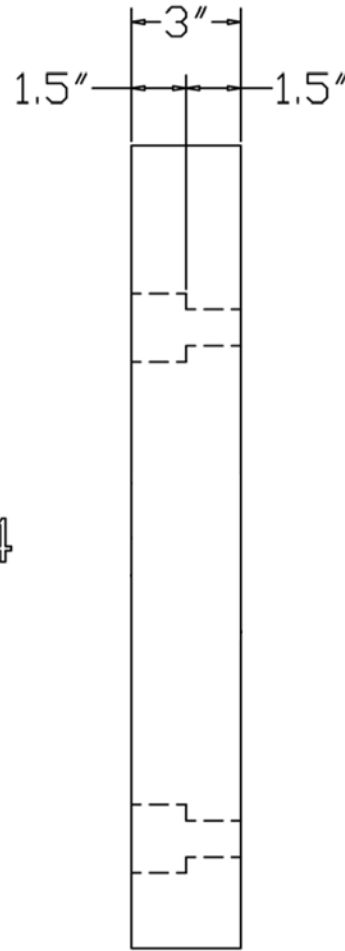


MODEL: *T*
MOLDED BUMPER

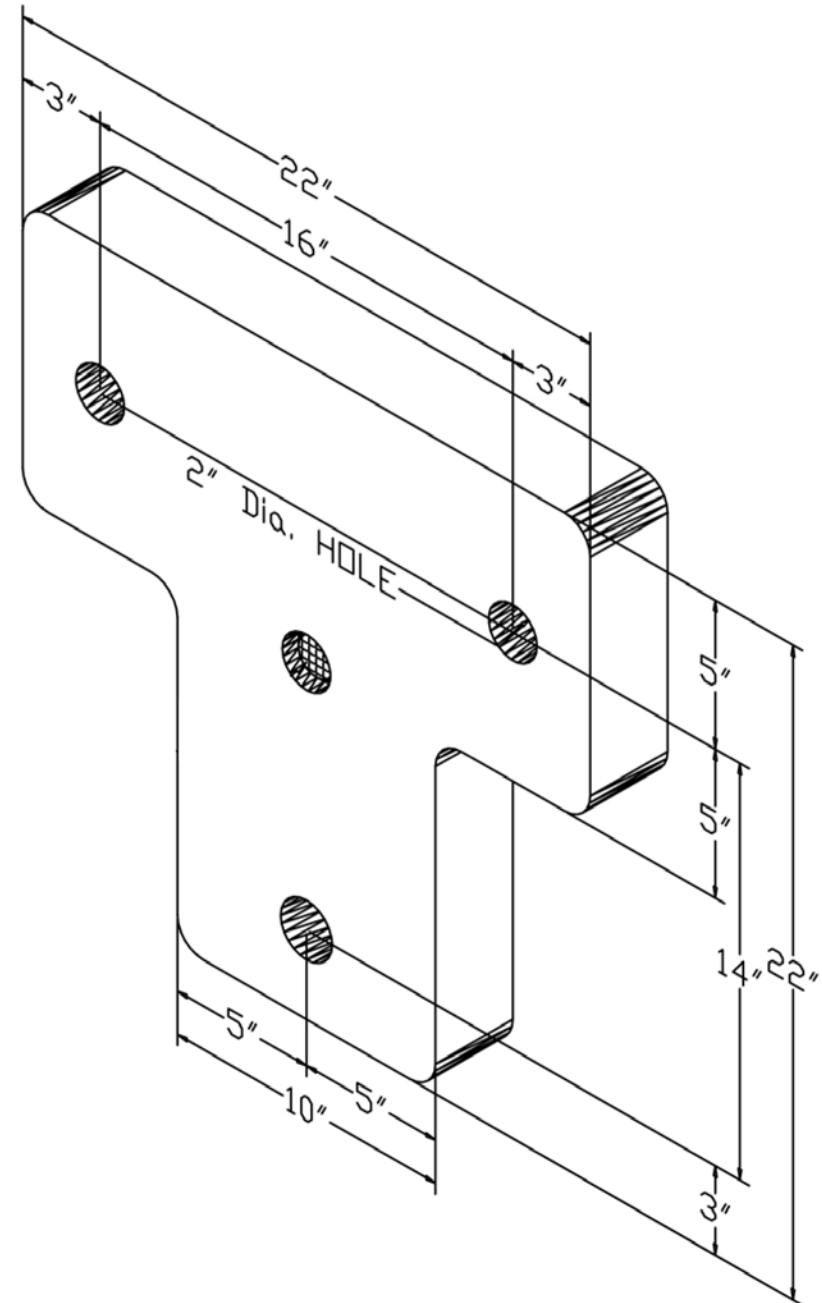


Size

Overall Length	22
Overall Thickness	3
-Height	22
-Anchor Holes	16x14
Total Weight	30 lbs



SIDE VIEW



Please Note: Weights are calculated and are not actual and overall tolerance may vary + or - 1/4".