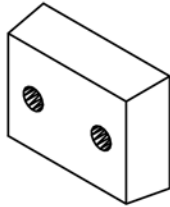
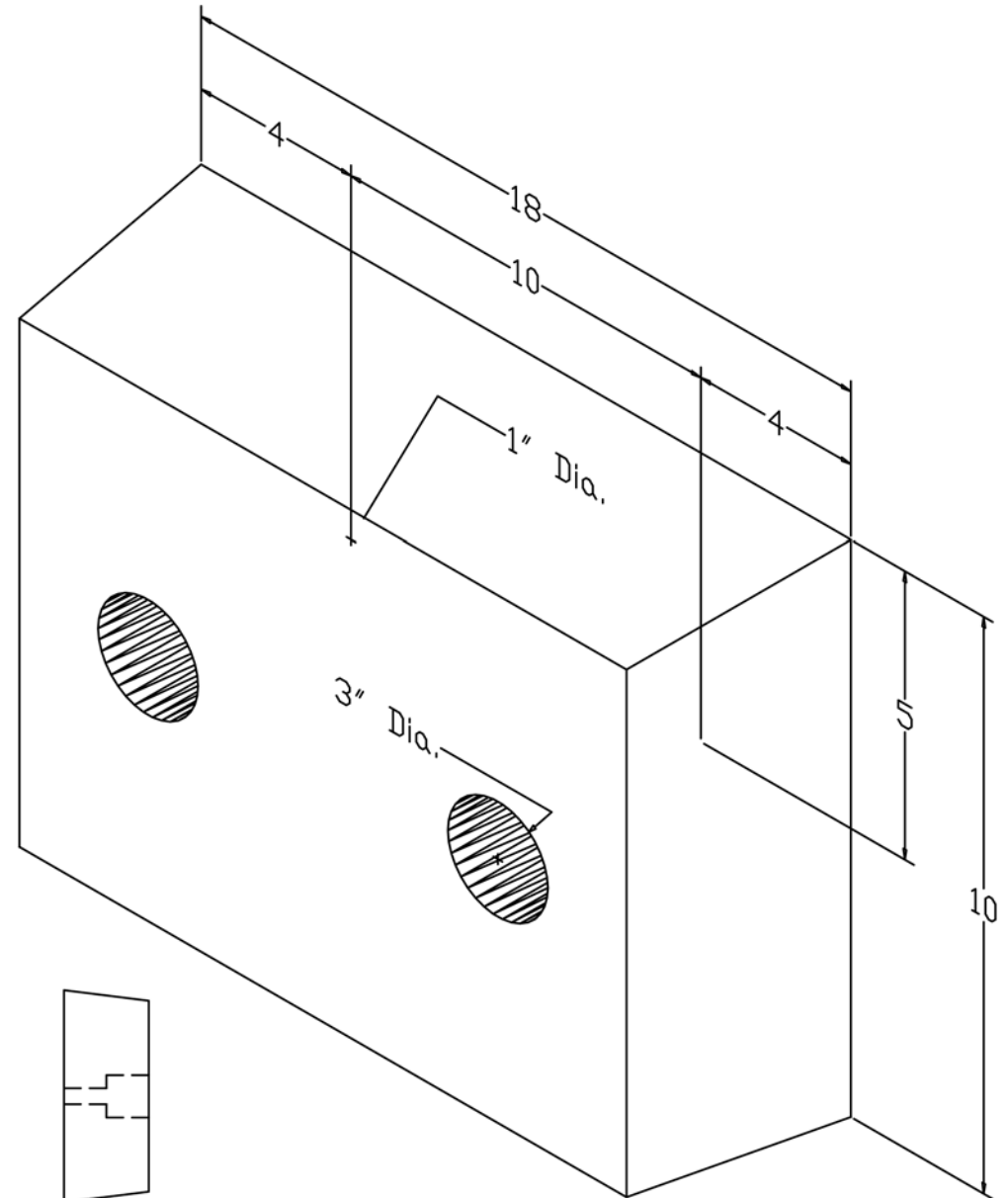


MODEL: *M-18*
MOLDED BUMPER

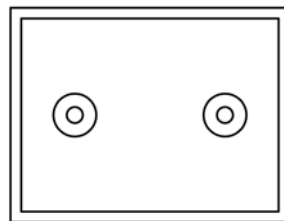
Size



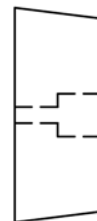
Overall Length	18
Overall Thickness	4
-Height	10
-Anchor Holes	10
Total Weight	25 lbs



Please Note: Weights are calculated and are not actual and overall tolerance may vary + or - 1/4".



FRONT VIEW



SIDE VIEW