

MODEL: *B910-36-A3*

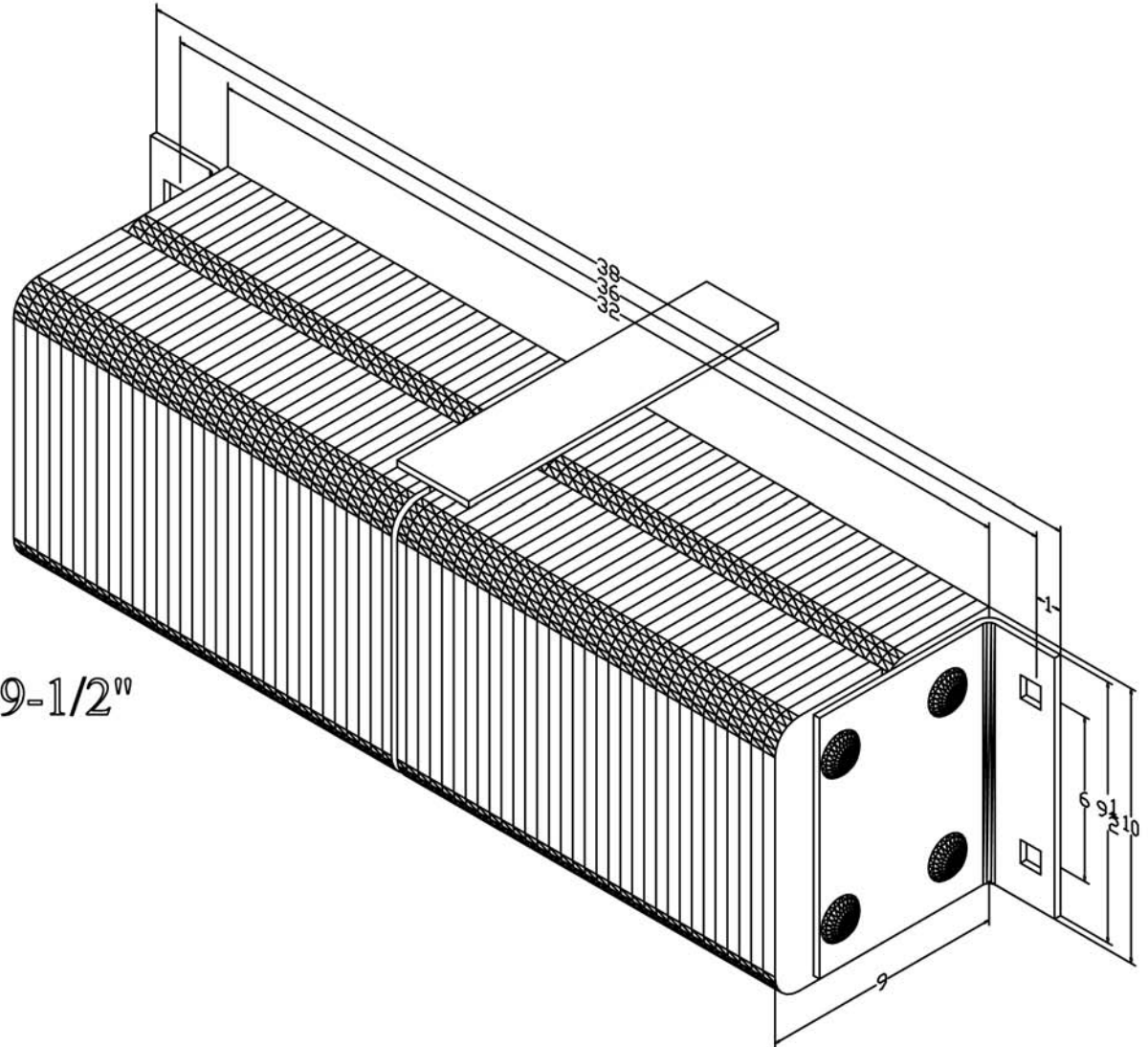
Size

Projection 9"
 Height 10"

Length:

-Overall 38"
 -Anchor Holes 36"
 -Rubber 32"
 Plate Size (2) 1/4"x3"x7-3/8"x9-1/2"

Bolt Heads Are Inscribed
 "DURABLE CORP"



All measurements are +/- 1/8"