

MODEL: *B910-24*

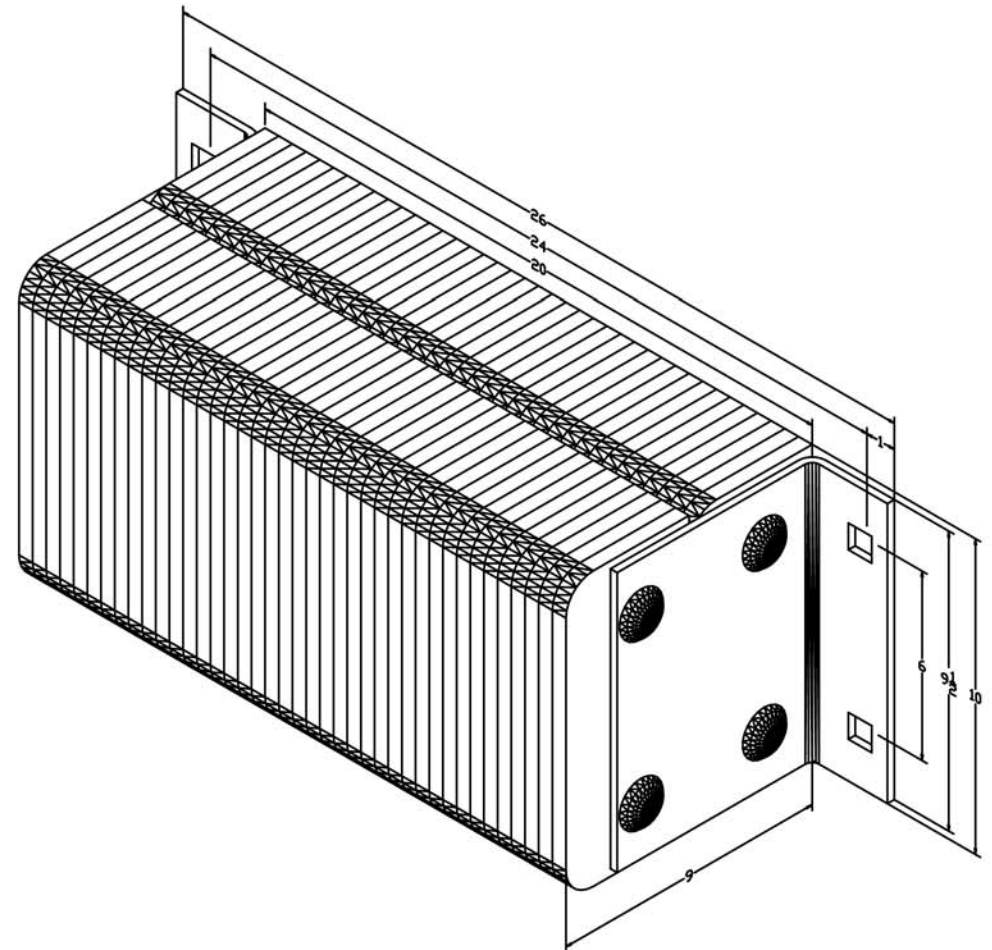
Size

Projection 9"
Height 10"

Length:

-Overall 26"
-Anchor Holes 24"
-Rubber 20"
Plate Size (2) 1/4"x3"x7-3/8"x9-1/2"

Bolt Heads Are Inscribed
"DURABLE CORP"



All measurements are +/- 1/8"