

MODEL: *B910-14*

Size

Projection 9"

Height 10"

Length:

-Overall 16"

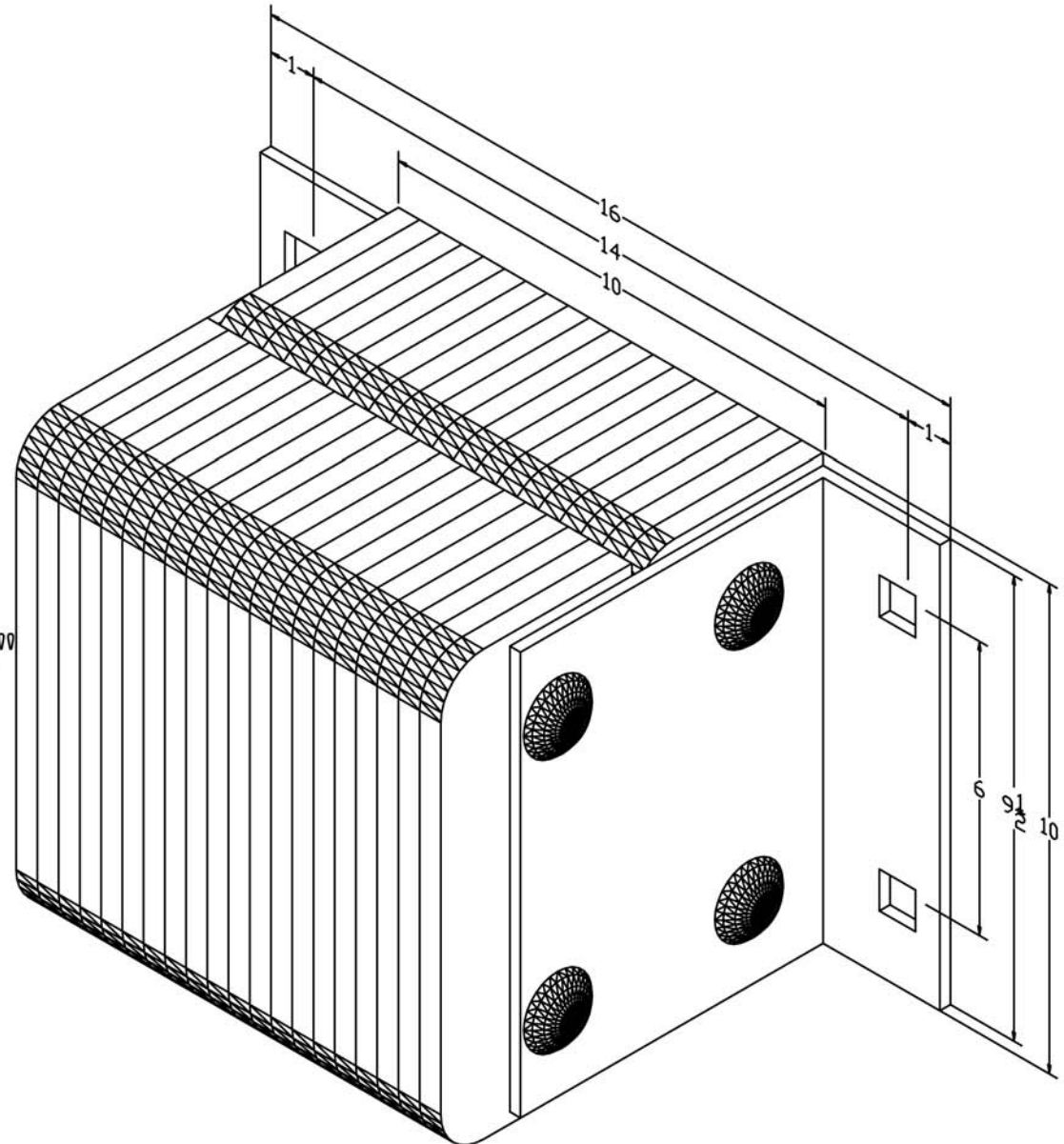
-Anchor Holes 14"

-Rubber 10"

Angle Size (2) 1/4"x3"x7-3/8"x9-1/2"

Bolt Heads Are Inscribed

"DURABLE CORP"



All measurements are +/- 1/8"