

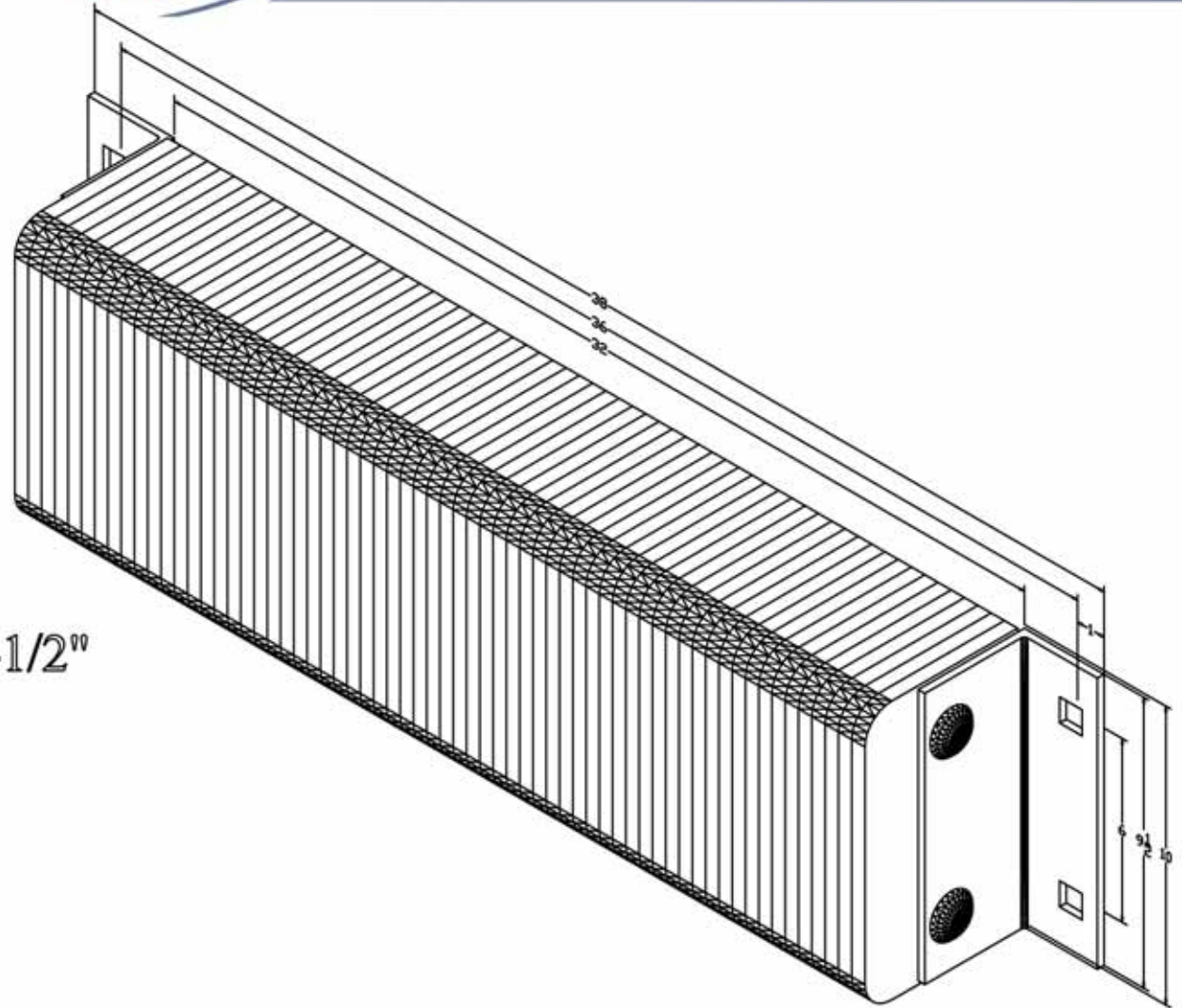
MODEL: *B610-36*

Size

Projection 6"
Height 10"

Length:

-Overall 38"
-Anchor Holes 36"
-Rubber 32"
Angle Size (2) 1/4"x3"x4"x9-1/2"



All measurements are +/- 1/8"