



MODEL: *B4512-18SF*

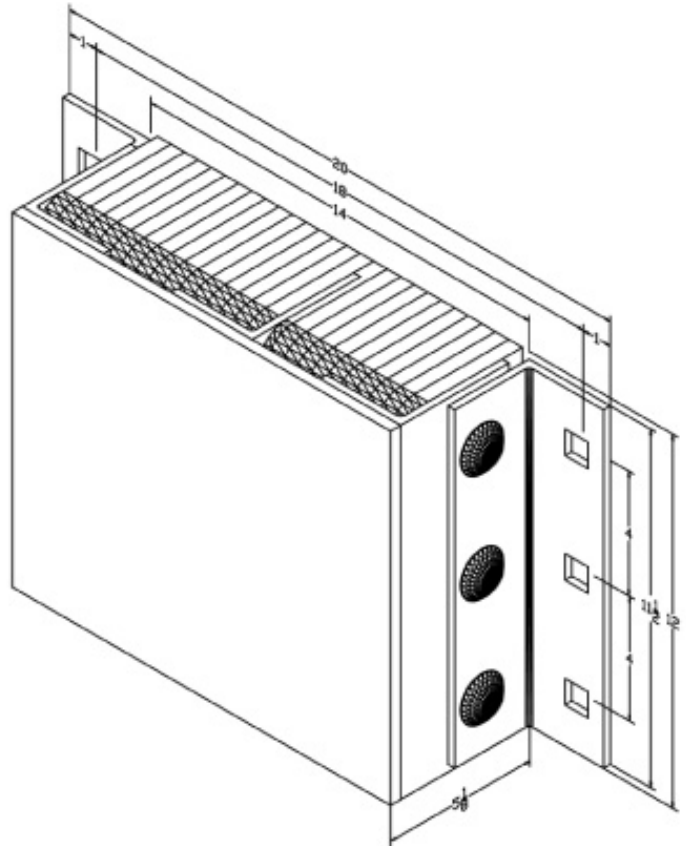
Size

Projection 5-1/8"  
Height 12"

Length:

-Overall 20"  
-Anchor Holes 18"  
-Rubber 14"  
Angle Size (2) 1/4"x3"x3"x11-1/2"  
Slot Angle Size (3) 1/4"x3"x4"x12"  
Face Plate Size (1) 3/8"x12"x14"

Bolt Heads Are Inscribed  
"DURABLE CORP"



All measurements are +/- 1/8"