

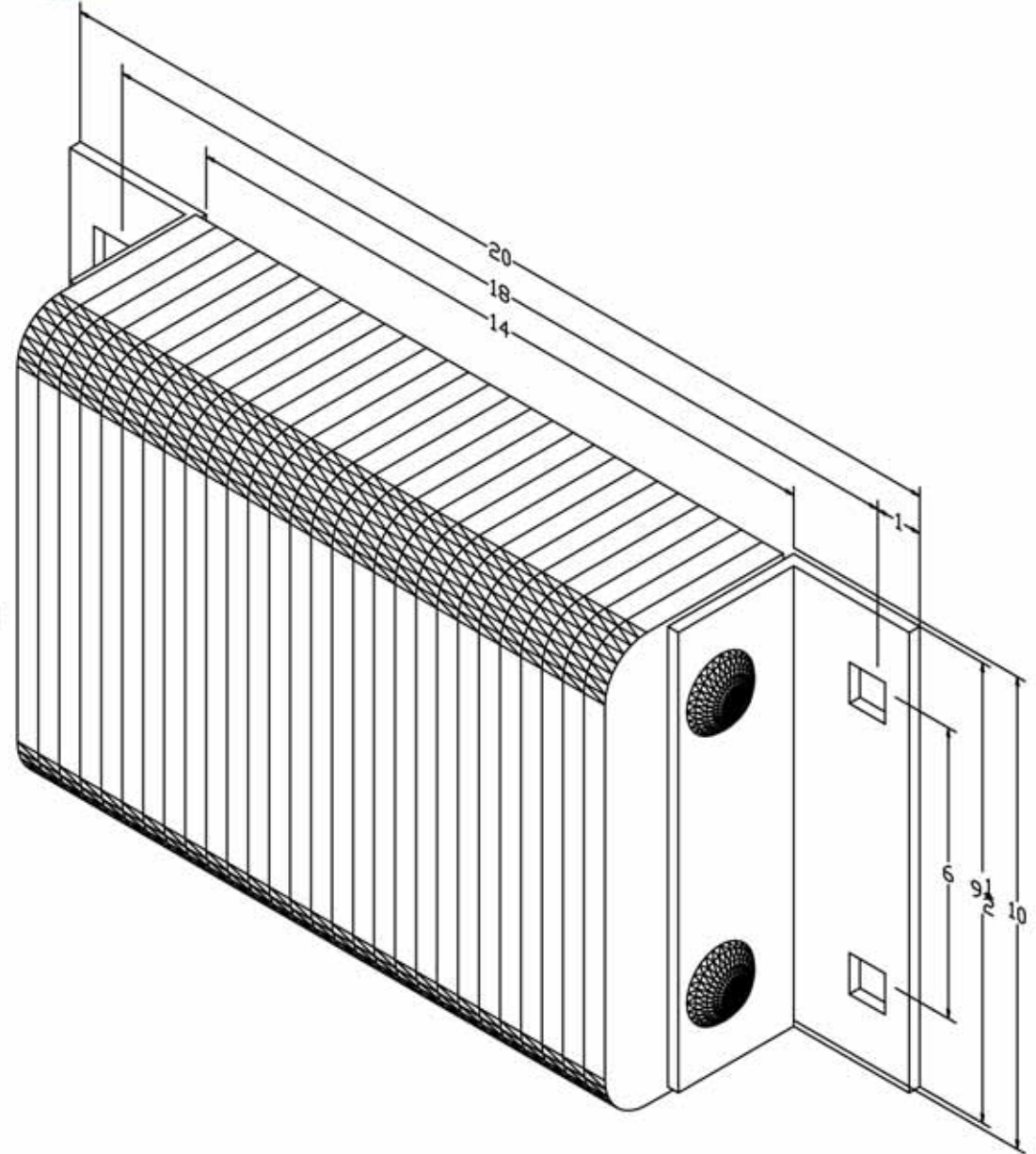
MODEL: *B4510-18*

Size

Projection      4-1/2"  
 Height          10"

Length:

-Overall            20"  
 -Anchor Holes    18"  
 -Rubber            14"  
 Angle Size (2)    1/4"x3"x3"x9-1/2"



All measurements are +/- 1/8"